

## PF4000 Series Fixed Displacement Pumps

Also refer to "Pump Features, Selection and Operating Recommendations" ([dynexpumpoperating.pdf](#))

### CONTACT INFORMATION

#### USA Headquarters

Dynex/Rivett Inc.  
770 Capitol Drive  
Pewaukee, WI 53072 U.S.A.  
Tel: 262-691-2222  
FAX: 262-691-0312  
E-mail: [sales@dynexhydraulics.com](mailto:sales@dynexhydraulics.com)

#### Power Units & Systems

Dynex/Rivett Inc.  
54 Nickerson Road  
Ashland, MA 01721 U.S.A.  
Tel: 508-881-5110  
FAX: 508-881-6849  
E-mail: [ashland@dynexhydraulics.com](mailto:ashland@dynexhydraulics.com)

#### European Sales

Dynex/Rivett Inc.  
Unit C5 Steel Close, Little End Road, Eaton Socon,  
Huntingdon, Cambs. PE19 8TT United Kingdom  
Tel: +44 (0) 1480 213980  
FAX: +44 (0) 1480 405662  
E-mail: [sales@dynexhydraulics.co.uk](mailto:sales@dynexhydraulics.co.uk)

**For more information  
visit our web site:  
[www.dynexhydraulics.com](http://www.dynexhydraulics.com)**

#### BROCHURE NOTES:

*Maximum pressures indicated throughout are the maximum intermittent pressures a component can sustain for occasional, short periods of operation without appreciably reducing the life expectancy. Contact the Dynex sales department for a review of any application which requires operating above the rated pressures, flows, speeds or higher than normal operating temperatures.*

*Specifications shown were in effect when published. Since errors or omissions are possible, contact your sales representative for the most current specifications before ordering. Dynex reserves the right to discontinue products or change designs at any time without incurring any obligation.*



# PF4000 SERIES

## Pump Type

Fixed delivery with keyed shaft;  
bi-directional shaft rotation without  
changing the direction of flow.

## Mounting

S.A.E. D 4-bolt pattern with 0.25 inch  
(6,4 mm) pilot engagement;  
1.250 inch (31,75 mm) diameter shaft.

## Optional Spline Shaft

1.248/1.247 inch diameter standard  
S.A.E. 14 tooth, 12/24 D.P. 30°  
involute spline.

**Weight (Mass)** 104 lb (47,2 kg)

## High Pressure Models

Port on outlet block, shown printed in  
gray, fits *Autoclave* or *Butech* fitting,  
or British Standard Pipe fitting.

## SPECIFICATIONS

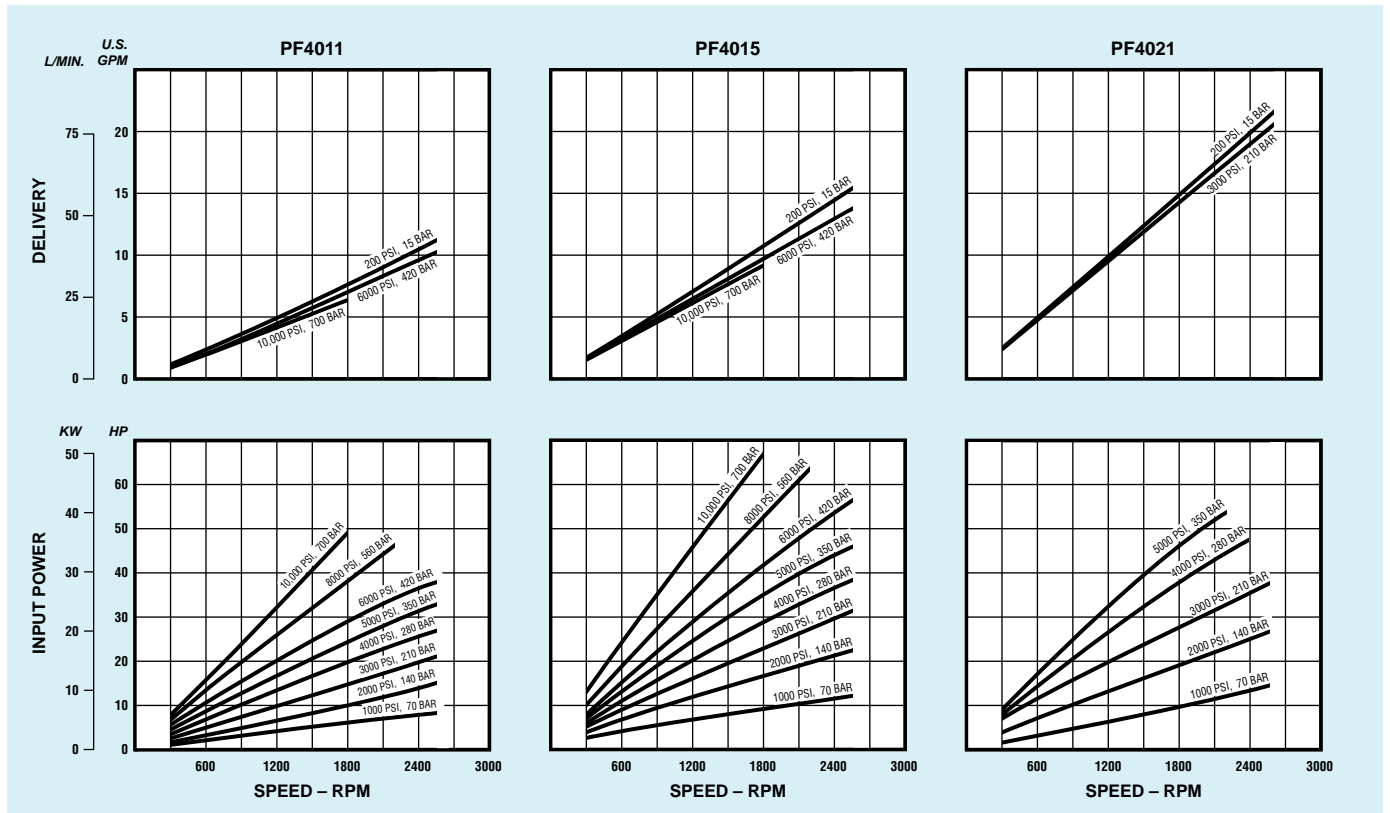
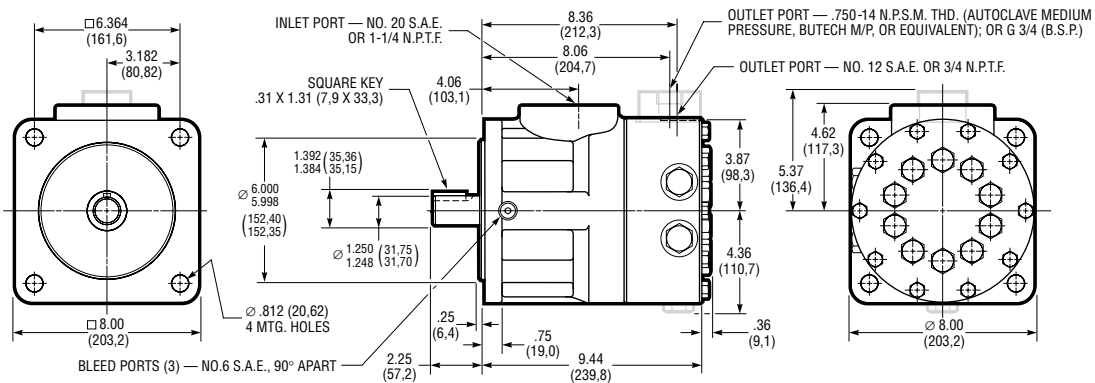
Pump Model Number	Flow at 1800 rpm <sup>①</sup>		Rated Pressure		Maximum Intermittent Pressure		Rated Speed (rpm)	Maximum Speed (rpm)
	U.S. gpm	L/min	psi	bar	psi	bar		
PF4011-3061 <sup>②</sup>	7.5	28,4	6000	420	8000	560	2600	3600
PF4015-3062 <sup>②</sup>	10.5	39,7	6000	420	8000	560	2600	3600
PF4021-1594 <sup>②</sup>	15.0	56,8	3000	210	5000	350	2600	3600
PF4011-3040 <sup>③</sup>	6.9	26,1	10 000	700	10 000	700	1800	1800
PF4015-3041 <sup>③</sup>	9.9	37,5	10 000	700	10 000	700	1800	1800
PF4011-3056 <sup>④</sup>	6.9	26,1	10 000	700	10 000	700	1800	1800
PF4015-3057 <sup>④</sup>	9.9	37,5	10 000	700	10 000	700	1800	1800

① Output flow based on typical performance at rated pressure.

② Model numbers shown have standard S.A.E. ports; Also available with N.P.T.F. ports: Models PF4015-3063 and PF4021-1595 (Inlet, 1-1/4 inch N.P.T.F.; Outlet, 3/4 inch N.P.T.F.).

③ High pressure outlet port fits Autoclave Medium Pressure, Butech M/P or equivalent fitting.

④ Outlet port fits British Standard Pipe fitting.



# PF4000 SERIES

## Pump Type

Fixed delivery with keyed shaft;  
bi-directional shaft rotation without  
changing the direction of flow.

## Mounting

S.A.E. D 4-bolt pattern with 0.25 inch  
(6,4 mm) pilot engagement;  
1.250 inch (31,75 mm) diameter shaft.

## Optional Spline Shaft

1.248/1.247 inch diameter standard  
S.A.E. 14 tooth, 12/24 D.P. 30°  
involute spline.

**Weight (Mass)** 125 lb (56,7 kg)

## SPECIFICATIONS

Pump Model Number	Flow at 1800 rpm <sup>①</sup>		Rated Pressure		Maximum Intermittent Pressure		Rated Speed (rpm)	Maximum Speed (rpm)
	U.S. gpm	L/min	psi	bar	psi	bar		
PF4018-2945	12.7	48,1	4000	280	6000	420	2000	2400
PF4026-2926	18.1	68,5	4000	280	6000	420	2000	2400
PF4033-2927	22.2	84,0	4000	280	6000	420	1800	2100

① Output flow based on typical performance at rated pressure with pressurized inlet where required.

