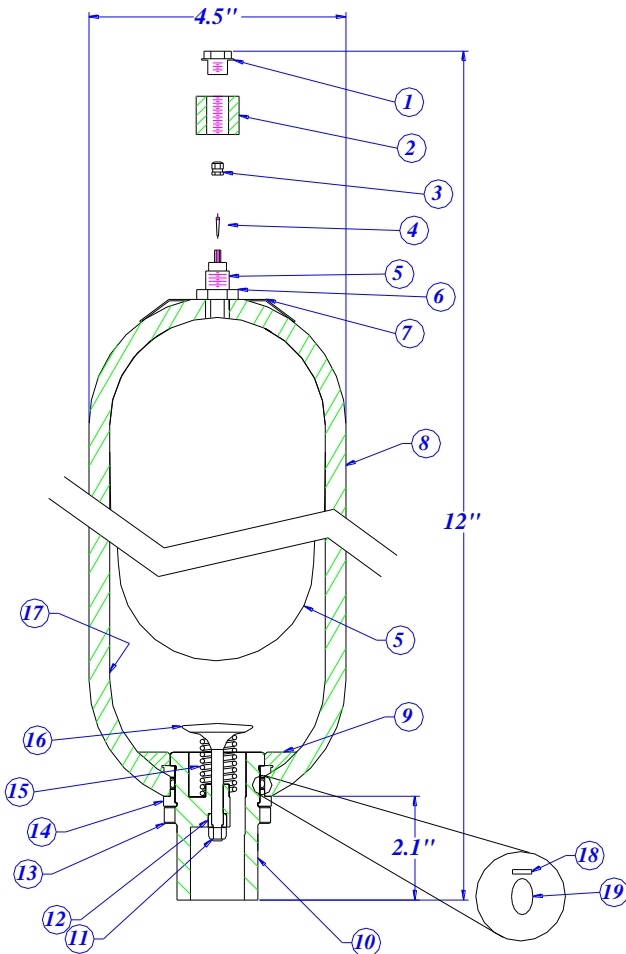


1 Quart 3000 psi Bottom Repairable Accumulators



List of Component Parts		Alternate Service ¹			
		Part Number (OS)	WS	SS	XS
1	Safety Cap	AI-1QT-308		N/A ²	N/A ²
1	Safety Cap O-Ring	AI-1QT-309		N/A ²	N/A ²
2	Protective Cap	AI-1QT-306	-SS	-4-SS	-4-SS
3	Valve Cap	AI-1QT-303			
4	Valve Core	AI-S-304			
5	Bladder Kit ³				
	Buna-Nitrile	AI-1QT-3KT		-SS	-SS
	Butyl	AI-1QT-3KT-B		-SS	-SS
	EPR	AI-1QT-3KT-E		-SS	-SS
	Fluorocarbon	AI-1QT-3KT-V		-SS	-SS
	Hydrin	AI-1QT-3KT-H		-SS	-SS
	Low Temp Buna	AI-1QT-3KT-L		-SS	-SS
6	Hex Jam Nut	AI-1QT-305	-SS	-SS	-SS
7	Name Plate	AI-1QT-413			
8	Caution Label	AI-1QT-414			
8	Information Label	AI-1QT-421			
9	Anti-Extrusion Ring				
	Buna-Nitrile	AI-1QT-407	-WS	-WS	-WS
	EPDM	AI-1QT-407-E	-WS	-WS	-WS
	Fluorocarbon	AI-1QT-407-V	-WS	-WS	-WS
10	Fluid Port ⁴	AI-1QT-402	-WS	-SS	-SS
11	Stop Nut	AI-1QT-408	-SS	-SS	-SS
12	Piston	AI-1QT-405	-SS	-SS	-SS
13	Locknut	AI-1QT-403	-WS	-SS	-SS
14	Spacer	AI-1QT-406	-WS	-SS	-SS
15	Spring	AI-1QT-409-SS			
16	Poppet	AI-1QT-404	-SS	-SS	-SS
17	Shell (3000 psi)	Not for Sale	N/A	N/A	N/A
18	Metal Back-Up Ring	AI-1QT-412	-SS	-SS	-SS
19	O-Ring				
	Buna-Nitrile	AI-1QT-410			
	Butyl	AI-1QT-410-B			
	EPR	AI-1QT-410-E			
	Fluorocarbon	AI-1QT-410-V			

Standard Configuration

SA 372 Chrome-moly Steel Shell
C-1018 and 4130 or 4140 Components
³/₄" NPT Female Fluid Port
Buna-Nitrile Rubber Components

Optional Configuration (at extra cost)

AN Gas Valve
Resin Coatings, Internal (WS)
Electroless Nickel Plating, Internal & External (SS)
Resin Coating – ID, 3 Part Marine Epoxy Paint – OD (XS)
Stainless Steel Components
Foreign and Domestic Codes
Call Factory for Other Options

Dimensions⁵

Part Number	Weight
AIQT3100	9.5 lbs

Fluid Port Options

Fluid Port Type	Designation
³ / ₄ " NPT Female	None
Metric Female	-2
1 ¹ / ₁₆ "-12 SAE Female	-3
Code 61, ³ / ₄ " SAE Split Flange	.4
BSPP Female	-7
Other	Call
Special Materials	Call

¹ OS-Oil Service, WS- Water Service, SS-Special Service, XS-Extreme Service

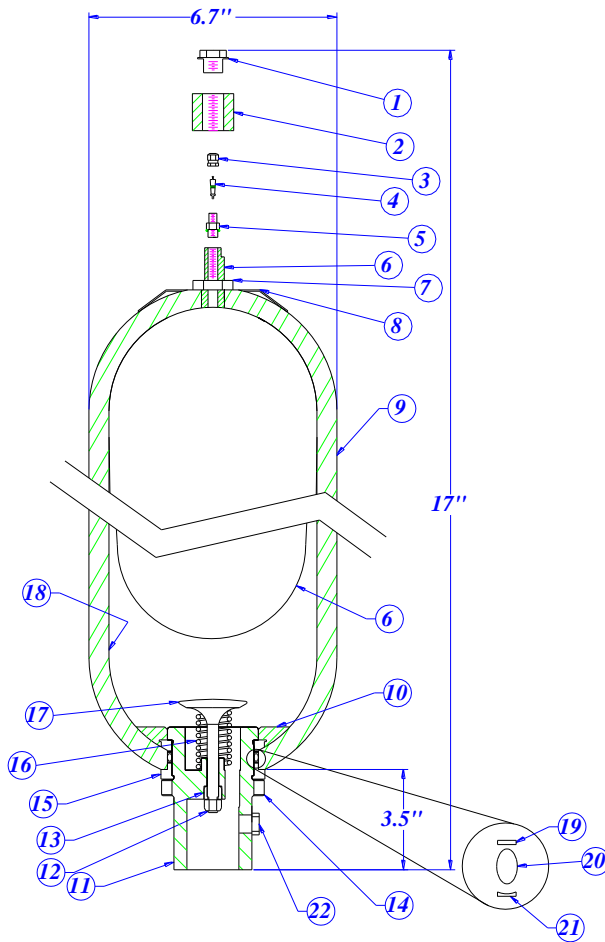
² Special service accumulator uses a solid protective cap

³ Bladder kit consists of the following parts: 3, 4, 5, 18, and 19

⁴ See Oil Port Configuration for options

⁵ Nominal dimensions. Manufacturing variations will occur. Allow ⁺/₂".

1 Gallon 3000 psi Bottom Repairable Accumulators



List of Component Parts		Alternate Service ¹			
		Part Number (OS)	WS	SS	XS
1	Safety Cap	AI-S-308		N/A ²	N/A ²
1	Safety Cap O-Ring	AI-S-309		N/A ²	N/A ²
2	Protective Cap	AI-306	-SS	-4-SS	-4-SS
3	Valve Cap	AI-S-303			
4	Valve Core	AI-S-304			
5	GT Gas Valve	AI-GT3-309			
5	Gas Valve O-Ring	AI-GT3-311			
6	Bladder Kit ³				
	Buna-Nitrile	AI-1-3KT		-SS	-SS
	Butyl	AI-1-3KT-B		-SS	-SS
	EPR	AI-1-3KT-E		-SS	-SS
	Fluorocarbon	AI-1-3KT-V		-SS	-SS
	Hydrin	AI-1-3KT-H		-SS	-SS
	Low Temp Buna	AI-1-3KT-L		-SS	-SS
7	Hex Jam Nut	AI-S-305	-SS	-SS	-SS
8	Name Plate	AI-S-413			
9	Caution Label	AI-S-421			
10	Anti-Extrusion Ring				
	Buna-Nitrile	AI-1-407	-WS	-WS	-WS
	EPDM	AI-1-407-E	-WS	-WS	-WS
	Fluorocarbon	AI-1-407-V	-WS	-WS	-WS
11	Fluid Port ⁴	AI-1-402	-WS	-SS	-SS
12	Stop Nut	AI-1-408	-SS	-SS	-SS
13	Piston	AI-1-405	-SS	-SS	-SS
14	Locknut	AI-1-403	-WS	-SS	-SS
15	Spacer	AI-1-406	-WS	-SS	-SS
16	Spring	AI-1-409-SS			
17	Poppet	AI-1-404	-SS	-SS	-SS
18	Shell	Not for Sale	N/A	N/A	N/A
19	Metal Back-Up Ring	AI-1-412	-SS	-SS	-SS
20	O-Ring				
	Buna-Nitrile	AI-1-410			
	EPDM	AI-1-410-E			
	Fluorocarbon	AI-1-410-V			
21	Rubber Back-Up Ring	AI-1-411			
22	Bleed Plug				
	¹ / ₄ " NPT	AI-S-418	-SS	-SS	-SS
	⁷ / ₁₆ "-20 SAE	AI-S-419	-SS	-SS	-SS

Standard Configuration

SA 372 Chrome-moly Steel Shell
 C-1018 and 4130 or 4140 Components
 1 ¹/₄" NPT Female Fluid Port
 Buna-Nitrile Rubber Components

Optional Configuration (at extra cost)

AN Gas Valve
 Resin Coatings, Internal (WS)
 Electroless Nickel Plating, Internal & External (SS)
 Resin Coating – ID, 3 Part Marine Epoxy Paint – OD (XS)
 Stainless Steel Components
 Foreign and Domestic Codes
 Call Factory for Other Options

Dimensions ⁵	
Part Number	Weight
A13100	32 lbs

Fluid Port Options	
Fluid Port Type	Designation
1 ¹ / ₄ " NPT Female	None
Metric Female	-2
1 ⁵ / ₈ "-12 SAE Female	-3
Code 61, 1 ¹ / ₂ " SAE Split Flange	-4
BSPP Female	-7
Other	Call
Special Materials	Call

¹ OS-Oil Service, WS- Water Service, SS-Special Service, XS-Extreme Service

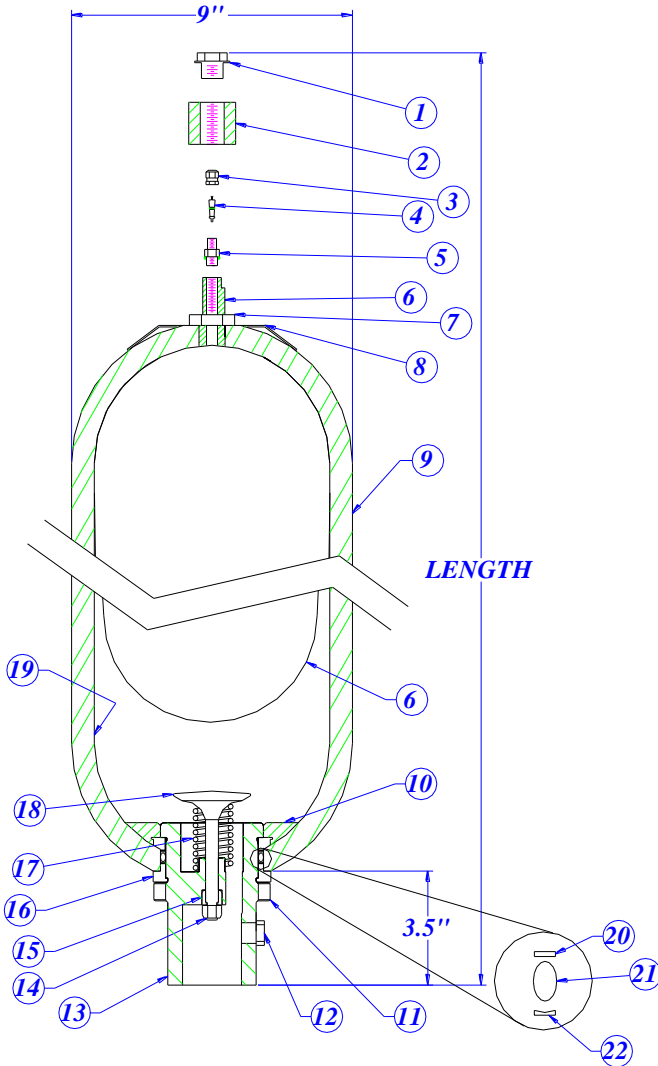
² Special service accumulator uses a solid protective cap

³ Bladder kit consists of the following parts: 3, 4, 5, 6, 19, 20, and 21

⁴ See Oil Port Configuration for options

⁵ Nominal dimensions. Manufacturing variations will occur. Allow ⁺/₂".

2.5-15 Gallon 3000 psi Bottom Repairable Accumulators



List of Component Parts		Alternate Service ¹		
Description	Part Number (OS)	WS	SS	XS
1	Safety Cap	AI-S-308		N/A ²
1	Safety Cap O-Ring	AI-S-309		N/A ²
2	Protective Cap	AI-306	-SS	-4-SS
3	Valve Cap	AI-S-303		
4	Valve Core	AI-S-304		
5	GT Gas Valve	AI-GT3-309		
5	Gas Valve O-Ring	AI-GT3-311		
6	Bladder Kit ³			
	Buna-Nitrile	AI-X-3KT	-SS	-SS
	Butyl	AI-X-3KT-B	-SS	-SS
	EPR	AI-X-3KT-E	-SS	-SS
	Fluorocarbon	AI-X-3KT-V	-SS	-SS
	Hydrin	AI-X-3KT-H	-SS	-SS
	Low Temp Buna	AI-X-3KT-L	-SS	-SS
7	Hex Jam Nut	AI-S-305	-SS	-SS
8	Name Plate	AI-S-413		
9	Caution Label	AI-S-421		
10	Anti-Extrusion Ring			
	Buna-Nitrile	AI-S-407	-WS	-WS
	EPDM	AI-S-407-E	-WS	-WS
	Fluorocarbon	AI-S-407-V	-WS	-WS
11	Locknut	AI-S-403	-WS	-SS
12	Bleed Plug			
	1/4" NPT	AI-S-418	-SS	-SS
	7/16"-20 SAE	AI-S-419	-SS	-SS
13	Fluid Port ⁴	AI-S3-402	-WS	-SS
14	Stop Nut	AI-S-408	-SS	-SS
15	Piston	AI-S-405	-SS	-SS
16	Spacer	AI-S3-406	-WS	-SS
17	Spring	AI-S3-409	-SS	-SS
18	Poppet	AI-S-404	-SS	-SS
19	Shell (3000 psi)	Not for Sale	N/A	N/A
20	Metal Back-Up Ring	AI-S-412	-SS	-SS
21	O-Ring			
	Buna-Nitrile	AI-S-410		
	EPDM	AI-S-410-E		
	Fluorocarbon	AI-S-410-V		
22	Rubber Back-Up Ring	AI-S-411		

Standard Configuration

- SA 372 Chrome-moly Steel Shell
- 2 Piece Replaceable Gas Valve
- C-1018 and 4130 or 4140 Components
- 2" NPT Female Fluid Port
- Buna-Nitrile Rubber Components

Optional Configuration (at extra cost)

- AN Gas Valve
- Resin Coatings, Internal (WS)
- Electroless Nickel Plating, Internal & External (SS)
- Resin Coating – ID, 3 Part Marine Epoxy Paint – OD (XS)
- Stainless Steel Components
- Foreign and Domestic Codes
- Call Factory for Other Options

Dimensions ⁵		
Part Number	Length	Weight
A2.53100	21"	76 lbs
A53100	33"	116 lbs
A103100	54"	212 lbs
A113100	60"	230 lbs
A153100	78"	296 lbs

Fluid Port Options	
Fluid Port Type	Designation
2" NPT Female	None
1 1/4" NPT Female	-1
Metric Female	-2
1 1/8"-12 SAE Female	-3
Code 61, 2" SAE Split Flange	-4
Other	Call
Special Materials	Call

1 OS-Oil Service, WS- Water Service, SS-Special Service, XS-Extreme Service

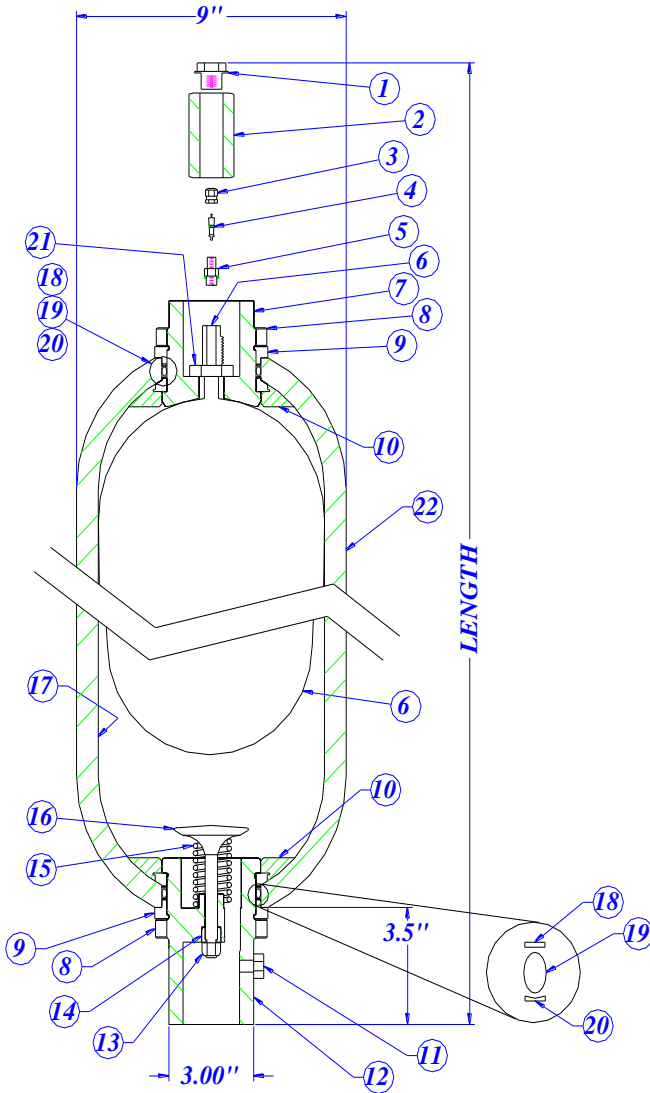
2 Special service accumulator uses a solid protective cap

3 Insert the size of the accumulator for X, i.e. AI-2.5-3KT for a 2.5-gallon bladder kit. Bladder kit consists of the following parts: 3, 4, 5, 6, 20, 21, and 22

4 See Oil Port Configuration for options

5 Nominal dimensions. Manufacturing variations will occur. Allow +/-2".

2.5-15 Gallon 3000 psi Top Repairable Accumulators



List of Component Parts		Alternate Service ¹		
		WS	SS	XS
Description	Part Number (OS)			
1	Safety Cap	AI-S-308		N/A ²
1	Safety Cap O-Ring	AI-S-309		N/A ²
2	Protective Cap	AI-306	-SS	-4-SS
3	Valve Cap	AI-S-303		
4	Valve Core	AI-S-304		
5	GT Gas Valve	AI-GT3-309		
5	Gas Valve O-Ring	AI-GT3-311		
6	Bladder Kit ³			
	Buna Nitrile	AI-X-3KT		-SS
	Butyl	AI-X-3KT-B		-SS
	EPR	AI-X-3KT-E		-SS
	Fluorocarbon	AI-X-3KT-V		-SS
	Hydrin	AI-X-3KT-H		-SS
	Low Temp Buna	AI-X-3KT-L		-SS
7	Top Load Adapter	AI-TR3-208	-WS	-SS
8	Locknut, Qty 2	AI-S-403	-WS	-SS
9	Spacer, Qty 2	AI-S3-406	-WS	-SS
10	Anti-Extrusion Ring, Qty 2			
	Buna-Nitrile	AI-S-407	-WS	-WS
	EPDM	AI-S-407-E	-WS	-WS
	Fluorocarbon	AI-S-407-V	-WS	-WS
11	Bleed Plug			
	^{1/4} " NPT	AI-S-418	-SS	-SS
	^{7/16} "-20 SAE	AI-S-419	-SS	-SS
12	Fluid Port ⁴	AI-S3-402	-WS	-SS
13	Stop Nut	AI-S-408	-SS	-SS
14	Piston	AI-S-405	-SS	-SS
15	Spring	AI-S-409	-SS	-SS
16	Poppet	AI-S-404	-SS	-SS
17	Shell (3000 psi)	Not for Sale	N/A	N/A
18	Metal Back-Up Ring, QTY 2	AI-S-412	-SS	-SS
19	O-Ring, Qty 2			
	Buna-Nitrile	AI-S-410		
	Butyl	AI-S-410-B		
	EPR	AI-S-410-E		
	Fluorocarbon	AI-S-410-V		
20	Rubber Back-Up Ring, Qty 2	AI-S-411		
21	Hex Jam Nut	AI-S-305	-SS	-SS
22	Caution Label	AI-S-421		

Standard Configuration

SA 372 Chrome-moly Steel Shell
 2 Piece Replaceable Gas Valve
 C-1018 and 4130 or 4140 Components
 2" NPT Female Fluid Port
 Buna-Nitrile Rubber Components

Optional Configuration (at extra cost)

AN Gas Valve
 Resin Coatings, Internal (WS)
 Electroless Nickel Plating, Internal & External (SS)
 Resin Coating – ID, 3 Part Marine Epoxy Paint – OD (XS)
 Stainless Steel Components
 Foreign and Domestic Codes
 Call Factory for Other Options

Dimensions ⁵		
Part Number	Length	Weight
A2.5TR3100	21"	78 lbs
A5TR3100	33"	118 lbs
A10TR3100	54"	214 lbs
A11TR3100	60"	232 lbs
A15TR3100	78"	298 lbs

Fluid Port Options	
Fluid Port Type	Designation
2" NPT Female	None
1 1/4" NPT Female	-1
Metric Female	-2
1 7/8"-12 SAE Female	-3
Code 61, 2" SAE Split Flange	-4
Other	Call
Special Materials	Call

¹ OS-Oil Service, WS- Water Service, SS-Special Service, XS-Extreme Service

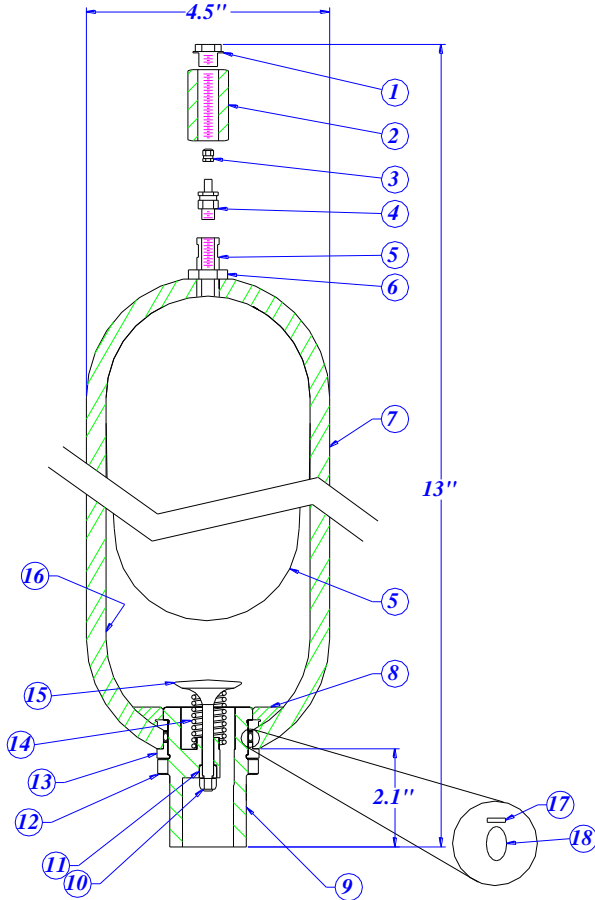
² Special service accumulator uses a solid protective cap

³ Insert the size of the accumulator for X, i.e. AI-2.5-3KT for a 2.5 gallon bladder kit. Bladder kit consists of the following parts: 3, 4, 5, 6, 18, 19, and 20

⁴ See Oil Port Configuration for options

⁵ Nominal dimensions. Manufacturing variations will occur. Allow +/- .2".

1 Quart 5000 psi Bottom Repairable Accumulators



List of Component Parts		Alternate Service ¹			
		Part Number (OS)	WS	SS	XS
1	Safety Cap	AI-S-308		N/A ²	N/A ²
1	Safety Cap O-Ring	AI-S-309		N/A ²	N/A ²
2	Protective Cap	AI-306-1	-SS	-2-SS	-2-SS
3	Valve cap	AI-S-303			
4	Gas Valve	AI-S5-309			
4	High Pressure Gas Valve O-Ring	AI-S6-310			
5	Bladder Kit ³				
	Buna-Nitrile	AI-1QT-5-3KT		-SS	-SS
	Butyl	AI-1QT-5-3KT-B		-SS	-SS
	EPR	AI-1QT-5-3KT-E		-SS	-SS
	Fluorocarbon	AI-1QT-5-3KT-V		-SS	-SS
	Hydrin	AI-1QT-5-3KT-H		-SS	-SS
	Low Temp Buna	AI-1QT-5-3KT-L		-SS	-SS
6	Hex Jam Nut	AI-S-305	-SS	-SS	-SS
7	Caution Label	AI-1QT-414			
7	Info Label	AI-1QT-421			
8	Anti-Extrusion Ring				
	Buna-Nitrile	AI-1QT-407	-WS	-WS	-WS
	EPDM	AI-1QT-407-E	-WS	-WS	-WS
	Fluorocarbon	AI-1QT-407-V	-WS	-WS	-WS
9	Fluid Port ⁴	AI-1QT-402	-WS	-SS	-SS
10	Stop Nut	AI-1QT-408	-SS	-SS	-SS
11	Piston	AI-1QT-405	-SS	-SS	-SS
12	Locknut	AI-1QT-403	-WS	-SS	-SS
13	Spacer	AI-1QT-406	-WS	-SS	-SS
14	Spring	AI-1QT-409	-SS	-SS	-SS
15	Poppet	AI-1QT-404	-SS	-SS	-SS
16	Shell (5000 psi)	Not for Sale	N/A	N/A	N/A
17	Metal Back-Up Ring	AI-1QT-412	-SS	-SS	-SS
18	O-Ring				
	Buna-Nitrile	AI-1QT-410			
	EPDM	AI-1QT-410-E			
	Fluorocarbon	AI-1QT-410-V			

Standard Configuration

SA 372 Chrome-moly Steel Shell
 C-1018 and 4130 or 4140 Components
 3/4" NPT Female Fluid Port
 Buna-Nitrile Rubber Components

Optional Configuration (at extra cost)

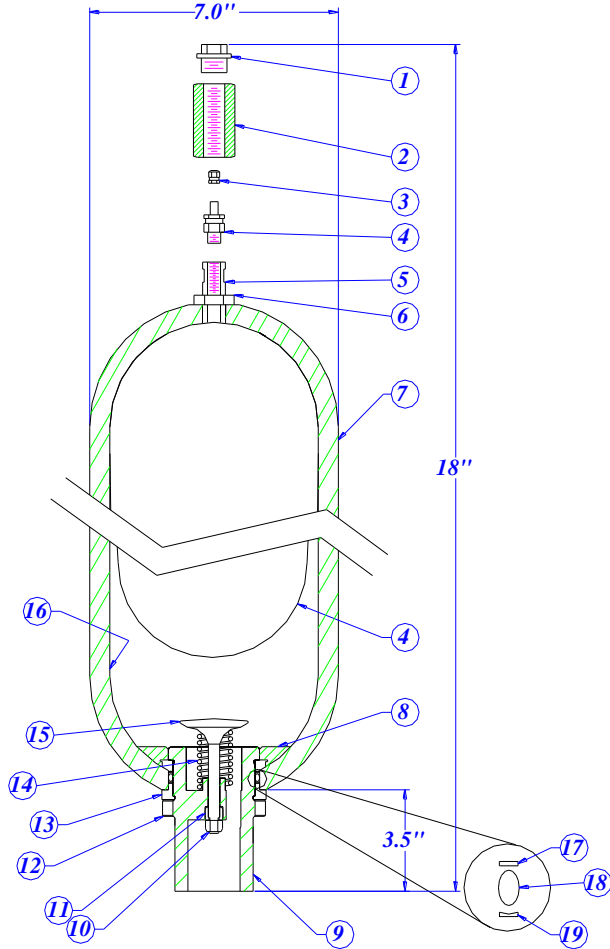
Resin Coatings, Internal (WS)
 Electroless Nickel Plating, Internal & External (SS)
 Resin Coating – ID, 3 Part Marine Epoxy Paint – OD (XS)
 Stainless Steel Components
 Foreign and Domestic Codes
 Call Factory for Other Options

Dimensions ⁵	
Part Number	Weight
AIQT5100	9.5 lbs

Fluid Port Options	
Fluid Port Type	Designation
3/4" NPT Female	None
Metric Female	-2
1 1/16"-12 SAE Female	-3
Code 61, 3/4" SAE Split Flange	-4
BSPF Female	-7
Other	Call
Special Materials	Call

1 OS-Oil Service, WS- Water Service, SS-Special Service, XS-Extreme Service
 2 Special service accumulator uses a solid protective cap
 3 Bladder kit consists of the following parts: 3, 4, 5, 17, and 18
 4 See Oil Port Configuration for options
 5 Nominal dimensions. Manufacturing variations will occur. Allow +/-2".

1 Gallon 5000 psi Bottom Repairable Accumulator



List of Component Parts		Alternate Service ¹			
		Part Number (OS)	WS	SS	XS
1	Safety Cap	AI-S-308		N/A ²	N/A ²
1	Safety Cap O-Ring	AI-S-309		N/A ²	N/A ²
2	Protective Cap	AI-306	-SS	-2-SS	-2-SS
3	Valve cap	AI-S-303			
4	Gas Valve	AI-S6-309			
4	High Pressure Gas Valve O-Ring	AI-S6-310			
5	Bladder Kit ³				
	Buna-Nitrile	AI-1-6-3KT		-SS	-SS
	Butyl	AI-1-6-3KT-B		-SS	-SS
	EPR	AI-1-6-3KT-E		-SS	-SS
	Fluorocarbon	AI-1-6-3KT-V		-SS	-SS
	Hydrin	AI-1-6-3KT-H		-SS	-SS
	Low Temp Buna	AI-1-6-3KT-L		-SS	-SS
6	Hex Jam Nut	AI-S-305	-SS	-SS	-SS
7	Info Label	AI-S-421			
8	Anti-Extrusion Ring				
	Buna-Nitrile	AI-1-6-407	-WS	-WS	-WS
	EPDM	AI-1-6-407-E	-WS	-WS	-WS
	Fluorocarbon	AI-1-6-407-V	-WS	-WS	-WS
9	Fluid Port ⁴	AI-1-6-402	-WS	-SS	-SS
10	Stop Nut	AI-1-408	-SS	-SS	-SS
11	Piston	AI-1-405	-SS	-SS	-SS
12	Locknut	AI-1-5-403	-WS	-SS	-SS
13	Spacer	AI-1-406	-WS	-SS	-SS
14	Spring	AI-1-409	-SS	-SS	-SS
15	Poppet	AI-1-404	-SS	-SS	-SS
16	Shell (5000 psi)	Not for Sale	N/A	N/A	N/A
17	Metal Back-Up Ring	AI-1-412	-SS	-SS	-SS
18	O-Ring				
	Buna-Nitrile	AI-1-410			
	EPDM	AI-1-410-E			
	Fluorocarbon	AI-1-410-V			
19	Rubber O-Ring	AI-1-411			

Standard Configuration

SA 372 Chrome-moly Steel Shell
 C-1018 and 4130 or 4140 Components
 1 1/4" NPT Female Fluid Port
 Buna-Nitrile Rubber Components

Optional Configuration (at extra cost)

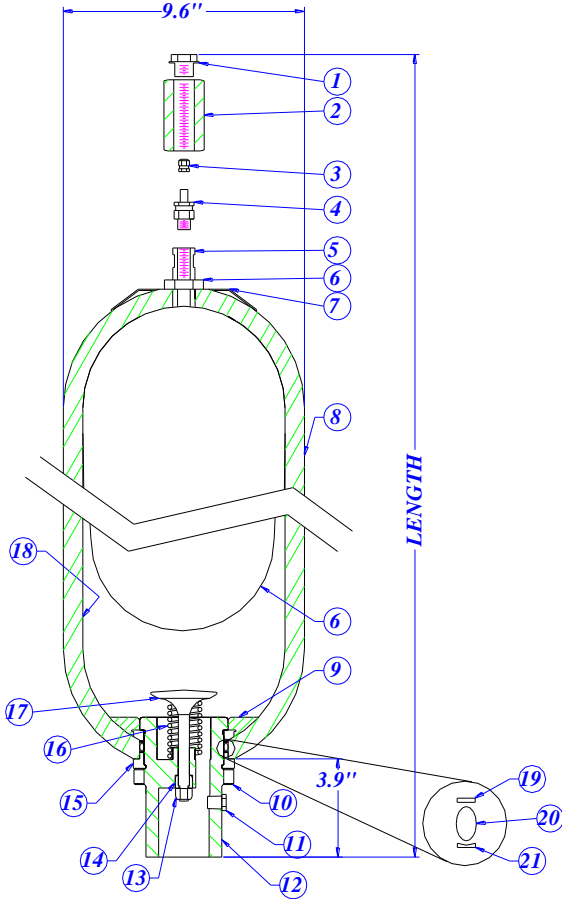
Resin Coatings, Internal (WS)
 Electroless Nickel Plating, Internal & External (SS)
 Resin Coating – ID, 3 Part Marine Epoxy Paint – OD (XS)
 Stainless Steel Components
 Foreign and Domestic Codes
 Call Factory for Other Options

Dimensions ⁵	
Part Number	Weight
A15100	36 lbs

Fluid Port Options	
Fluid Port Type	Designation
1 1/4" NPT Female	None
Metric Female	-2
1 3/8"-12 SAE Female	-3
Code 62, 1 1/4" SAE Split Flange	-4
BSPP Female	-7
Other	Call
Special Materials	Call

¹ OS-Oil Service, WS- Water Service, SS-Special Service, XS-Extreme Service
² Special service accumulator uses a solid protective cap
³ Bladder kit consists of the following parts: 3, 4, 5, 17, 18, and 19
⁴ See Oil Port Configuration for options
⁵ Nominal dimensions. Manufacturing variations will occur. Allow +/-2".

2.5-15 Gallon 6000 psi Bottom Repairable Accumulators



List of Component Parts		Alternate Service ¹		
Description	Part Number (OS)	WS	SS	XS
1	Safety Cap	AI-S-308		N/A ²
1	Safety Cap O-Ring	AI-S-309		N/A ²
2	Protective Cap	AI-306-1	-SS	-4-SS
3	Valve Cap	AI-S-303		
4	High Pressure Gas Valve	AI-S6-309		
4	High Pressure Gas Valve O-Ring	AI-S6-310		
5	Bladder Kit ³			
	Buna-Nitrile	AI-X-6-3KT	-SS	-SS
	Butyl	AI-X-6-3KT-B	-SS	-SS
	EPR	AI-X-6-3KT-E	-SS	-SS
	Fluorocarbon	AI-X-6-3KT-V	-SS	-SS
	Hydrin	AI-X-6-3KT-H	-SS	-SS
	Low Temp Buna	AI-X-6-3KT-L	-SS	-SS
6	Hex Jam Nut	AI-S-305	-SS	-SS
7	Name Plate	AI-S-413		
8	Caution Label	AI-S-421		
9	Anti-Extrusion Ring			
	Buna-Nitrile	AI-S-407	-WS	-WS
	EPDM	AI-S-407-E	-WS	-WS
	Fluorocarbon	AI-S-407-V	-WS	-WS
10	Locknut	AI-S-403	-WS	-SS
11	Bleed Plug			
	1/4" NPT	AI-S-418	-SS	-SS
	7/16"-20 SAE	AI-S-419	-SS	-SS
12	Fluid Port ⁴	AI-S6-402	-WS	-SS
13	Stop Nut	AI-S-408	-SS	-SS
14	Piston	AI-S-405	-SS	-SS
15	Spacer	AI-S6-406	-WS	-SS
16	Spring	AI-S6-409	-SS	-SS
17	Poppet	AI-S-404	-SS	-SS
18	Shell (6000 psi)	Not for Sale	N/A	N/A
19	Metal Back-Up Ring	AI-S-412	-SS	-SS
20	O-Ring			
	Buna-Nitrile	AI-S-410		
	EPDM	AI-S-410-E		
	Fluorocarbon	AI-S-410-V		
21	Rubber Back-Up Ring	AI-S-411		

Standard Configuration

SA 372 Chrome-moly Steel Shell
 2 Piece High Pressure Replaceable Gas Valve
 C-1018 and 4130 or 4140 Components
 2" NPT Female Fluid Port
 Buna-Nitrile Rubber Components

Optional Configuration (at extra cost)

Resin Coatings, Internal (WS)
 Electroless Nickel Plating, Internal & External (SS)
 Resin Coating – ID, 3 Part Marine Epoxy Paint – OD (XS)
 Stainless Steel Components
 Foreign and Domestic Codes
 Call Factory for Other Options

Dimensions ⁵		
Part Number	Length	Weight
A2.56100	22"	118 lbs
A56100	34"	198 lbs
A106100	55"	308 lbs
A156100	79"	468 lbs

Fluid Port Options	
Fluid Port Type	Designation
2" NPT Female	None
1 1/4" NPT Female	-1
Metric Female	-2
1 1/8"-12 SAE Female	-3
Code 62, 1 1/2" SAE Split Flange	-4
BSPP Female	-7
Other	Call
Special Materials	Call

¹ OS-Oil Service, WS- Water Service, SS-Special Service, XS-Extreme Service

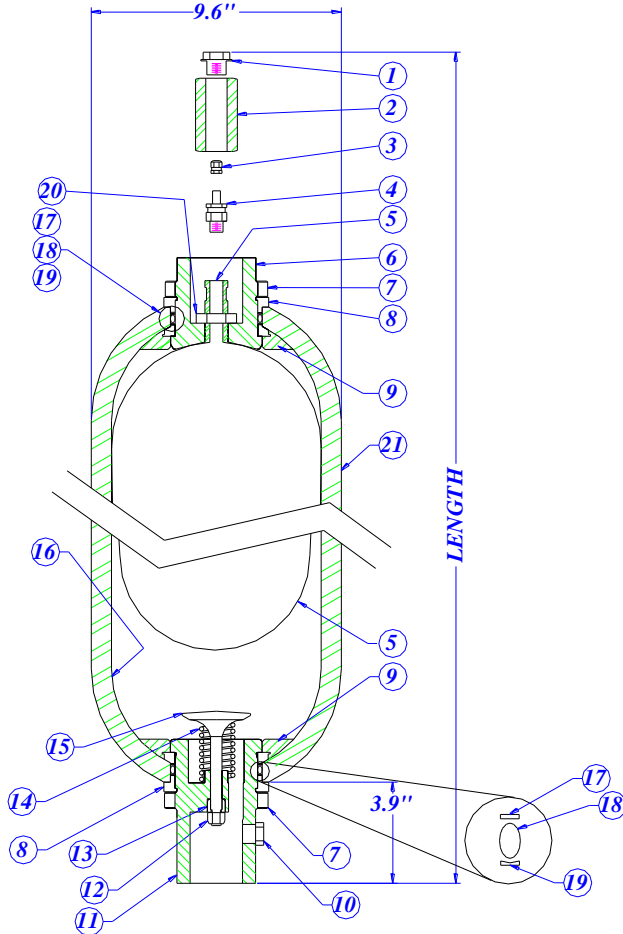
² Special service accumulator uses a solid protective cap

³ Insert the size of the accumulator for X, i.e. AI-2.5-6-3KT for a 2.5 gallon bladder kit. Bladder kit consists of the following parts: 3, 4, 5, 19, 20, and 21

⁴ See Oil Port Configuration for options

⁵ Nominal dimensions. Manufacturing variations will occur. Allow +/- .2".

2.5-15 Gallon 6000 psi Top Repairable Accumulators



List of Component Parts		Alternate Service ¹			
		Part Number (OS)	WS	SS	XS
1	Safety Cap	AI-S-308		N/A ²	N/A ²
1	Safety Cap O-Ring	AI-S-309		N/A ²	N/A ²
2	Protective Cap	AI-306-1	-SS	-4-SS	-4-SS
3	Valve Cap	AI-S-303			
4	High Pressure Gas Valve	AI-S6-309			
4	High Pressure Gas Valve O-Ring	AI-S6-310			
5	Bladder Kit ³				
	Buna-Nitrile	AI-X-6-3KT		-SS	-SS
	Butyl	AI-X-6-3KT-B		-SS	-SS
	EPR	AI-X-6-3KT-E		-SS	-SS
	Fluorocarbon	AI-X-6-3KT-V		-SS	-SS
	Hydrin	AI-X-6-3KT-H		-SS	-SS
	Low Temp Buna	AI-X-6-3KT-L		-SS	-SS
6	Top Load Adapter	AI-TR6-208	-WS	-SS	-SS
7	Locknut, Qty 2	AI-S-403	-WS	-SS	-SS
8	Spacer, Qty 2	AI-S6-406	-WS	-SS	-SS
9	Anti-Extrusion Ring, Qty 2				
	Buna-Nitrile	AI-S-407	-WS	-WS	-WS
	EPDM	AI-S-407-E	-WS	-WS	-WS
	Fluorocarbon	AI-S-407-V	-WS	-WS	-WS
10	Bleed Plug				
	1/4" NPT	AI-S-418	-SS	-SS	-SS
	7/16"-20 SAE	AI-S-419	-SS	-SS	-SS
11	Fluid Port ⁴	AI-S6-402	-WS	-SS	-SS
12	Stop Nut	AI-S-408	-SS	-SS	-SS
13	Piston	AI-S-405	-SS	-SS	-SS
14	Spring	AI-S6-409	-SS	-SS	-SS
15	Poppet	AI-S-404	-SS	-SS	-SS
16	Shell (6000 psi)	Not for Sale	N/A	N/A	N/A
17	Metal Back-Up Ring, Qty 2	AI-S-412	-SS	-SS	-SS
18	O-Ring, Qty 2				
	Buna-Nitrile	AI-S-410			
	EPDM	AI-S-410-E			
	Fluorocarbon	AI-S-410-V			
19	Rubber Back-Up Ring, Qty 2	AI-S-411			
20	Hex Jam Nut	AI-S-305	-SS	-SS	-SS
21	Caution Label	AI-S-421			

Standard Configuration

- SA 372 Chrome-moly Steel Shell
- 2 Piece High Pressure Replaceable Gas Valve
- C-1018 and 4130 or 4140 Components
- 1 1/4" NPT Female Fluid Port
- Buna-Nitrile Rubber Components

Optional Configuration (at extra cost)

- Resin Coatings, Internal (WS)
- Electroless Nickel Plating, Internal & External (SS)
- Resin Coating – ID, 3 Part Marine Epoxy Paint – OD (XS)
- Stainless Steel Components
- Foreign and Domestic Codes
- Call Factory for Other Options

Dimensions⁵

Part Number	Length	Weight
A2.5TR6100	22"	120 lbs
A5TR6100	34"	200 lbs
A10TR6100	55"	310 lbs
A15TR6100	79"	470 lbs

Fluid Port Options

Fluid Port Type	Designation
1 1/4" NPT Female	None
Metric Female	-2
1 7/8"-12 SAE Female	-3
Code 62, 1 1/2" SAE Split Flange	-4
BSPP Female	-7
Other	Call
Special Materials	Call

¹ OS-Oil Service, WS- Water Service, SS-Special Service, XS-Extreme Service

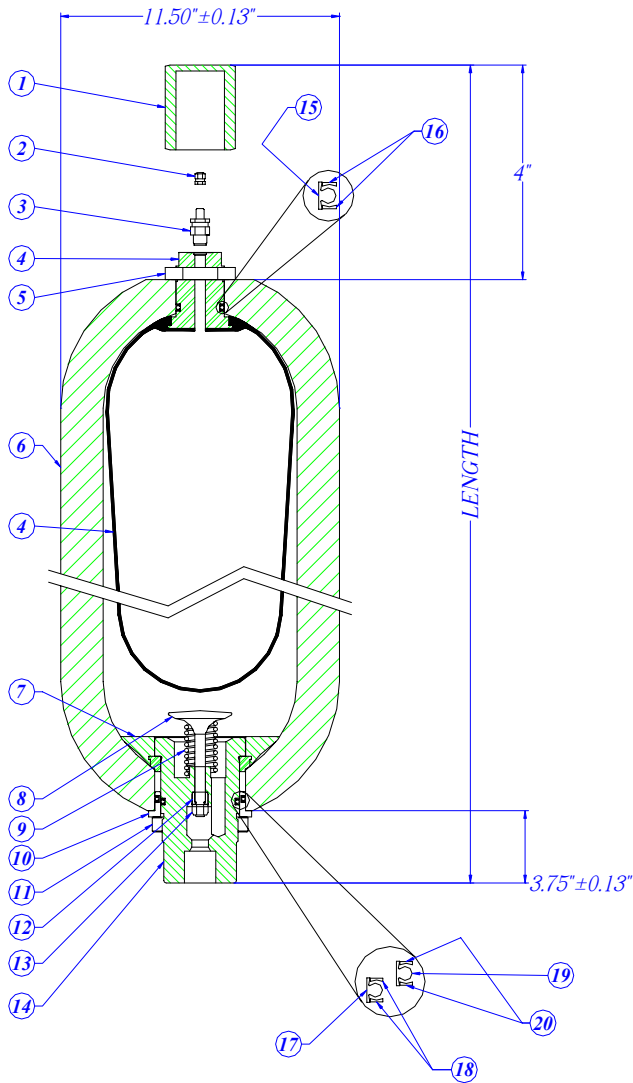
² Special service accumulator uses a solid protective cap

³ Insert the size of the accumulator for X, i.e. AI-2.5-3KT for a 2.5 gallon bladder kit. Bladder kit consists of the following parts: 4,5,18,19,20

⁴ See Oil Port Configuration for options

⁵ Nominal dimensions. Manufacturing variations will occur. Allow +/-0.2".

2.5-15 Gallon 10000 psi Bottom Repairable Accumulators



List of Component Parts		
	Description	Part Number
1	Protective Cap	AI-GT5-306-SS
2	Valve Cap	AI-S-303
3	High Pressure Gas Valve	AI-S10-309
4	Bladder Kit ¹	
	Buna-Nitrile	AI-X-10-3KT-SS
	Butyl	AI-X-10-3KT-B-SS
	EPR	AI-X-10-3KT-E-SS
	Fluorocarbon	AI-X-10-3KT-V-SS
	Low Temp Buna	AI-X-10-3KT-L-SS
	Extra Low Temp Buna	AI-X-10-3KT-X-SS
5	Hex Jam Nut	AI-GT5-305-SS
6	Shell (10000 psi)	Not for Sale
7	Anti-Extrusion Ring	
	Buna-Nitrile	AI-S10-407-SS
	EPDM	AI-S10-407-SS-E
	Fluorocarbon	AI-S10-407-SS-V
8	Poppet	AI-S-404-SS
9	Spring	AI-S6-409-SS
10	Spacer	AI-S10-406-SS
11	Locknut	AI-S10-403-SS
12	Piston	AI-S10-405-SS
13	Stop Nut	AI-S10-408-SS
14	Fluid Port ²	AI-S10-402-SS
15	Gas Valve T-Seal	AI-GT5-310
16	Gas Valve Backup O-Ring, Qty 2	AI-GT5-311
17	Fluid Port T-Seal	AI-GT5-410-B
18	Fluid Port Backup O-Ring, Qty 2	AI-GT5-411-B
19	Spacer T-Seal	AI-GT5-410-A
20	Spacer Backup O-Ring, Qty 2	AI-GT5-411-A

Standard Configuration

- SA 372 Chrome-moly Steel Shell
- 2 Piece High Pressure Replaceable Gas Valve
- Stainless Steel Components
- 1" Medium Pressure Female Fluid Port
- Buna-Nitrile Rubber Components
- Resin Coating – ID, 3 Part Marine Epoxy Paint – OD (XS)

Optional Configuration (at extra cost)

- Foreign and Domestic Codes
- Call Factory for Other Options

Dimensions ³		
Part Number	Length	Weight
A2.510100	25"	
A510100	37"	
A1010100	58"	
A1510100	81"	

Fluid Port Options	
Fluid Port Type	Designation
1" Medium Pressure Female	None
Other	Call
Special Materials	Call

¹ Insert the size of the accumulator for X, i.e. AI-2.5-10-3KT-SS for a 2.5 gallon bladder kit. Bladder kit consists of the following parts: 2,3,4,15,16,17,18,19,20
² See Oil Port Configuration for options
³ Nominal dimensions. Manufacturing variations will occur. Allow +/- .2".