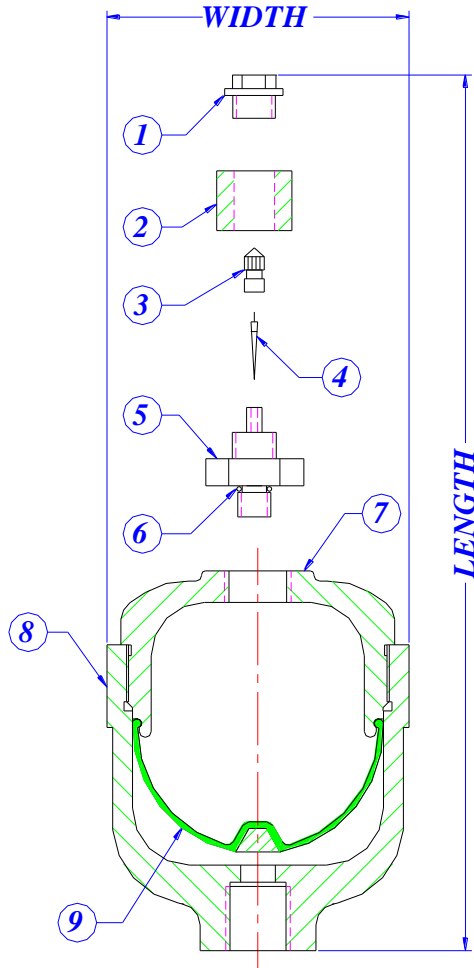


6 and 20 cubic inch 3000 psi AccuMight[®]



List of Component Parts		Alternate Service ¹		
Description	Part Number (OS)	WS	SS	XS
1 Safety Cap	AI-1QT-308		N/A ²	N/A ²
1 Safety Cap O-Ring	AI-1QT-309		N/A ²	N/A ²
2 Protective Cap	AI-1QT-306		-4-SS	-4-SS
3 Valve Cap	AI-1QT-303			
4 Valve Core	AI-S-304			
5 AccuMight [®] Gas Valve	AM-309			
6 Gas Valve O-Ring	AM-310			
7 Shell	Not for Sale	N/A	N/A	N/A
8 Label	AM-413			
9 Bladder ³				
	Buna-Nitrile	AM-X-3KT		
	Fluorocarbon	AM-X-3KT-V		
	Low Temp Buna			

Standard Configuration

ASTM A 350 LF2 Forged Steel Shell
 Shell Externally Painted Black
³/₄"-16 SAE Female Fluid Port
 Buna-Nitrile Rubber Components

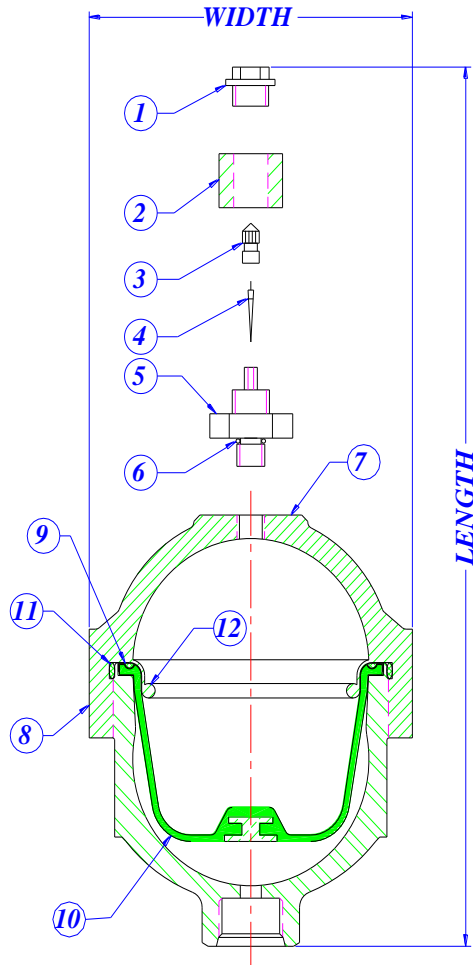
Optional Configuration (at extra cost)

Resin Coatings, Internal (WS)
 Electroless Nickel Plating, Internal & External (SS)
 Resin Coating – ID, 3 Part Marine Epoxy Paint – OD (XS)
 Stainless Steel Components
 Fluorocarbon Bladder
 Call Factory for Other Options

Dimensions ⁴			
Part Number	Length	Width	Weight
AM631003	5.8"	3.0"	4.4 lbs
AM2031003	6.8"	3.9"	6.6 lbs

1 OS-Oil Service, WS- Water Service, SS-Special Service, XS-Extreme Service
 2 Special service accumulator uses a solid protective cap
 3 Insert the size of the AccuMight[®] for X, i.e. AM-6-3KT for a 6 cu. in. bladder
 4 Nominal dimensions. Manufacturing variations will occur

30 and 45 cubic inch 3000 psi AccuMight[®]



List of Component Parts		Alternate Service ¹			
		Part Number (OS)	WS	SS	XS
1	Safety Cap	AI-1QT-308		N/A ²	N/A ²
1	Safety Cap O-ring	AI-1QT-309		N/A ²	N/A ²
2	Protective Cap	AI-1QT-306	-SS	-4-SS	-4-SS
3	Valve Cap	AI-1QT-303			
4	Valve Core	AI-S-304			
5	AccuMight [®] Gas Valve	AM-309			
6	Gas Valve O-Ring	AM-310			
7	Shell	Not for Sale	NA/	N/A	N/A
8	Label	AM-413			
9	Teflon Ring	AM-411			
10	Bladder Kit ³				
	Buna-Nitrile	AM-45-3KT			
	Fluorocarbon	AM-45-3KT-V			
11	Metal Ring	AM-412			
12	O-Ring	AM-410-L			

Standard Configuration

ASTM A 350 LF2 Forged Steel Shell
 Shell Externally Painted Black
 1 1/16"-12 SAE Female Fluid Port
 Buna-Nitrile Rubber Components

Optional Configuration (at extra cost)

Resin Coatings, Internal (WS)
 Electroless Nickel Plating, Internal & External (SS)
 Resin Coating – ID, 3 Part Marine Epoxy Paint – OD (XS)
 Stainless Steel Components
 Call Factory for Other Options

Dimensions ⁴			
Part Number	Length	Width	Weight
AM3031003	7.5"	4.5"	9.4 lbs
AM4531003	8.2"	5.4"	13.3 lbs

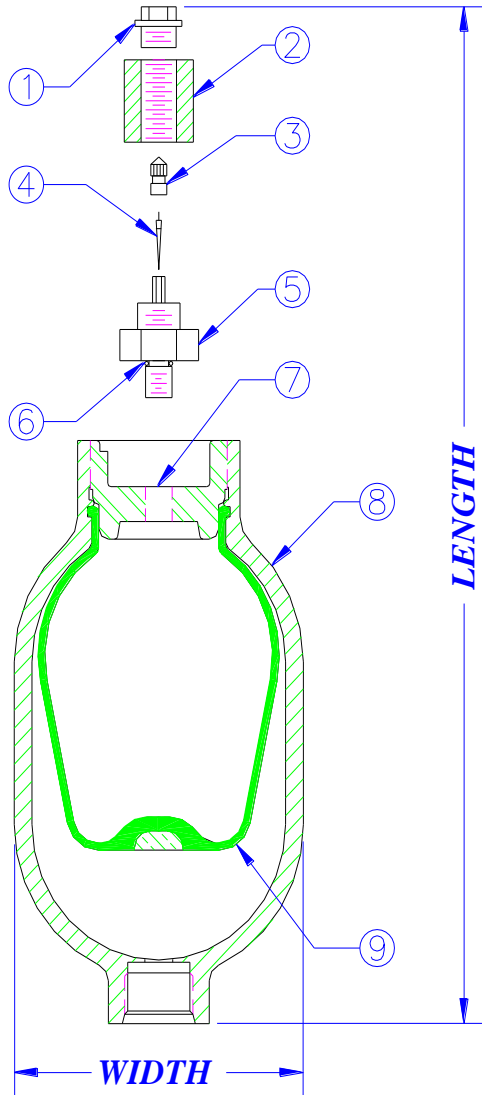
¹ OS-Oil Service, WS- Water Service, SS-Special Service, XS-Extreme Service

² Special service accumulator uses a solid protective cap

³ Bladder kit consists of the following parts: 9, 10, and 12

⁴ Nominal dimensions. Manufacturing variations will occur

45 and 60 cubic inch Top Repairable 3000 psi AccuMight[®]



List of Component Parts		Alternate Service ¹			
		Part Number (OS)	WS	SS	XS
1	Safety Cap	AI-1QT-308		N/A ²	N/A ²
1	Safety Cap O-Ring	AI-1QT-309		N/A ²	N/A ²
2	Protective Cap	AI-1QT-306	-SS	-4-SS	-4-SS
3	Valve Cap	AI-1QT-303			
4	Valve Core	AI-S-304			
5	AccuMight [®] Gas Valve	AM-309			
6	Gas Valve O-Ring	AM-310			
7	Shell	Not for Sale	N/A	N/A	N/A
8	Label	AM-413			
9	Bladder Kit ³				
	Buna-Nitrile	AM-X-3KT			
	Fluorocarbon	AM-X-3KT-V			

Standard Configuration

ASTM A 250 LF2 Forged Steel Shell
 Shell Externally Painted Black
 1 1/16"-12 SAE Female Fluid Port
 Buna-Nitrile Rubber Components

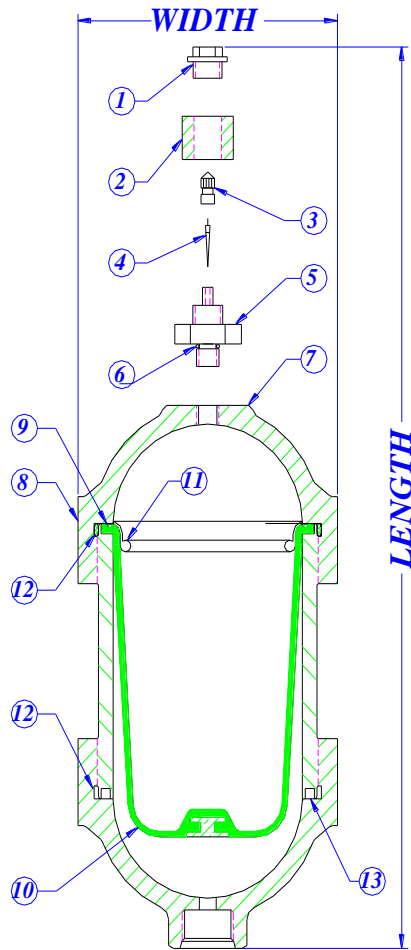
Optional Configuration (at extra cost)

Resin Coatings, Internal (WS)
 Electroless Nickel Plating, Internal & External (SS)
 Resin Coating – ID, 3 Part Marine Epoxy Paint – OD (XS)
 Stainless Steel Components
 Call Factory for Other Options

Dimensions ⁴			
Part Number	Length	Width	Weight
AM45TR31003	8.3"	4.6"	9.4 lbs
AM60TR31003	9.0"	4.6"	10.0 lbs

¹ OS-Oil Service, WS- Water Service, SS-Special Service, XS-Extreme Service
² Special service accumulator uses a solid protective cap
³ Insert the size of the AccuMight[®] for X, i.e. AI-90-TR-3KT for a 90 cu. in. TR bladder kit. Bladder kit consists of the following part: 9
⁴ Nominal dimensions. Manufacturing variations will occur

90 and 150 cubic inch 3000 psi AccuMight[®]



List of Component Parts		Alternate Service ¹		
Description	Part Number (OS)	WS	SS	XS
1 Safety Cap	AI-1QT-308		N/A ²	N/A ²
1 Safety Cap O-Ring	AI-1QT-309		N/A ²	N/A ²
2 Protective Cap	AI-1QT-306	-SS	-4-SS	-4-SS
3 Valve Cap	AI-1QT-303			
4 Valve Core	AI-S-304			
5 AccuMight [®] Gas Valve	AM-309			
6 Gas Valve O-Ring	AM-310			
7 Shell	Not for Sale	N/A	N/A	N/A
8 Label	AM-413			
9 Teflon Ring	AM-411			
10 Bladder Kit ³				
Buna-Nitrile	AM-X-3KT			
Fluorocarbon	AM-X-3KT-V			
11 Metal Ring	AM-412			
12 Large O-Ring	AM-410-L			
13 Small O-Ring	AM-410-S			

Standard Configuration

ASTM A 250 LF2 Forged Steel Shell
 Shell Externally Painted Black
 1 1/16"-12 SAE Female Fluid Port
 Buna-Nitrile Rubber Components

Optional Configuration (at extra cost)

Resin Coatings, Internal (WS)
 Electroless Nickel Plating, Internal & External (SS)
 Resin Coating – ID, 3 Part Marine Epoxy Paint – OD (XS)
 Stainless Steel Components
 Call Factory for Other Options

Dimensions ⁴			
Part Number	Length	Width	Weight
AM9031003	12.1"	5.4"	22.1 lbs
AM15031003	18.1"	5.4"	31.9 lbs

¹ OS-Oil Service, WS- Water Service, SS-Special Service, XS-Extreme Service

² Special service accumulator uses a solid protective cap

³ Insert the size of the AccuMight[®] for X, i.e. AI-90-3KT for a 90 cu. in. bladder kit. Bladder kit consists of the following parts: 9, 10, 12, and 13

⁴ Nominal dimensions. Manufacturing variations will occur